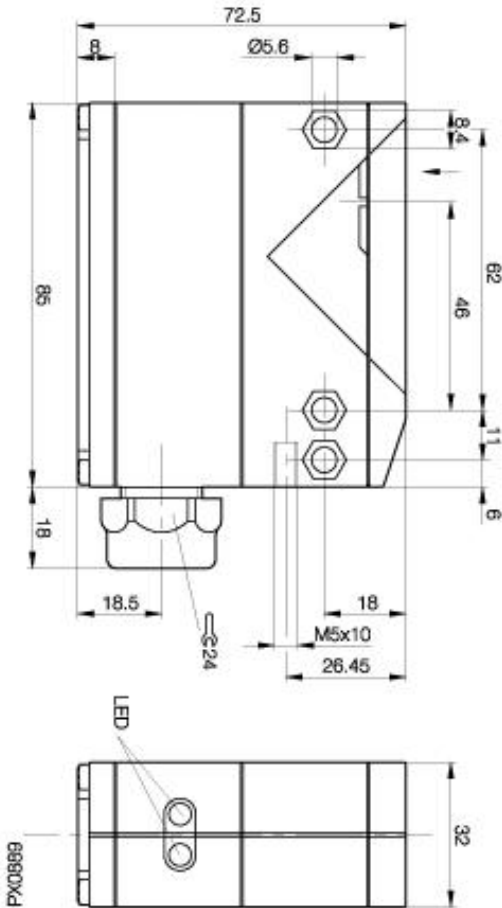


**Photoelectric Sensor**  
**BOS 65K-5-M110T-1**  
**Sn=1100mm**  
**Diffuse, Background suppression**



**Common Data**

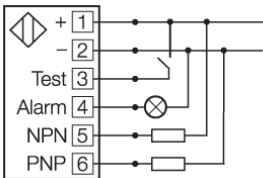
Series	65K
Sensortype	Diffuse, Background suppression
Switching frequency	500 Hz
Rated operating distance Sn in mm	1100
asured operating distance Sa	adjustable
Repeat accuracy	< 5% from Sn
Hysteresis	< 1%
Indication Switching element on	yes, red LED
Indication Special funktion	LED green Stability indicator
Ambient temperature	-20...+55°C
On-delay	< 1ms
Off-delay	< 1ms
Light	Infrared
Sensitivity Adjustment	Poti
Blind zone / min Reflector distance	200mm/-
Special funktion	Background suppression
Permissable ambient light	3000 Lux
Output funktion	light-on or dark-on

**Mechanical Data**

Measurements	85x72,5x32
Shock	Halfsinus, 30gn, 11ms
Vibration	10...55Hz, 1,5mm Amplitude 3x2h
Housing material	Polycarbonat
Material of sensing face	PMMA
Degree of protection	IP67
Connection	Screw terminals
Weigth	160g

**Electrical Data**

Current	DC
Switching funktion	NO/NC
Output	PNP/NPN
Rated operational current Ie	200mA
Supply Voltage	10...30V DC
Ripple	-
Frequency of Supply Voltage	AC/DC
Voltage drop	<2V
Short protection	yes
Rated insulation voltage	75V DC
max. Load capacity	0,33µF



Utilization categories  
 Insulation class

Datasheet number:

Definitions see general catalog.  
 If not otherwise noted, ratings according to  
 IEC 60947-5-2 (DIN EN60947-5-2)

Balluff GmbH  
 Schurwaldstrasse 9  
 73765 Neuhausen a.d.F.  
 Phone (07158) 173-0 Fax (07158) 5010

Datenblatt by CD-ROM - 04/2007

**BALLUFF**  
 sensors worldwide